

Hardware

+ Components Fastener

World News

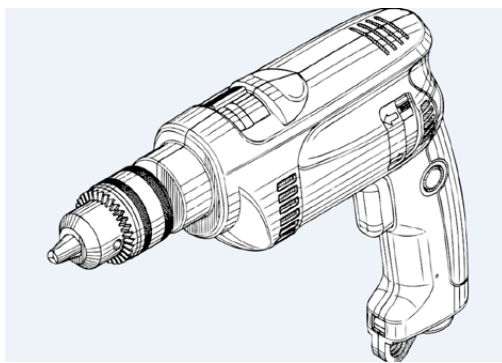
五金零組件全球新聞

compiled by Fastener World

Industry Development

Global Electric Tool Market Scale to Reach USD 43.2 Billion in 5 Years

全球電動工具市場規模將在五年內達432億美金



Astute Analytica, an analysis company, predicts the global electric tool market scale will reach USD 43.2 billion by 2017 at an annual growth rate of 5.2%. One of the primary contributors is the fact that the global construction industry is increasing the use of cordless electric tools and wrenches.

The electric tool market can be mainly broken down into North America, Asia Pacific, the Middle East, Africa and South Africa. North America has increased industry development and infrastructure and therefore shares 31% of the global market. Asia Pacific has the fastest growth speed at 6.8% driven by rapid automotive industry development, and within this region, the fastest growers are China and India.

China's New Energy Car Export Grows 130% in H1 2022



中國2022上半年新能源汽車出口同比增長1.3倍

China Association of Automobile Manufacturers' statistics reveal an uptrend in China's car export in June 2022. "New Energy Car" has been the highlight of China's export in recent years. Some of the Chinese automakers have made it into Europe and other regions. In the first half of 2022, China's new energy car export grew 130%, taking up 16.6% of all China's car export.

The data released by the Association shows that China manufactured 12.11 million units of vehicles and sold 12.05 million units of vehicles in the first half year of 2022. In terms of export, China set a new record in June in which the Chinese automakers exported 249 thousand units of vehicles, up 57.4%. This includes 198 thousand units of passenger cars that were exported, up 65.6%, and 51 thousand units of commercial cars, up 32.4%. In the first half of 2022, Chinese automakers exported a total of 1.218 million units of cars, up 47.1%. "The Russia-Ukraine war affected part of our export market, but from what we've heard from the automakers, they are doing well with oversea orders that don't appear to reduce in number," said the vice secretary of the Association.

The drastic growth of Chinese new energy car export was also attributed to Tesla. In 2021, Tesla Giga Shanghai delivered a total of 480 thousand units of vehicles, one third among which were exported to Europe and Asia Pacific. It is worth noting that the number of export, 163 thousand units of vehicles, represent half of all new energy cars exported by China in 2021. In the first 5 months of 2022, Tesla Giga Shanghai exported 96,214 new cars as compared to 36,753 cars exported in the same period last year. Since Tesla Giga Shanghai resumed production, Tesla has outperformed the record in its monthly sales it reached before the pandemic.

European EV Sales up 31% in First Half 2022

歐洲上半年電動車成長31%

The first half of 2022 was a rough time for the European new car market. According to the data by JATO Dynamics, new car registration dipped 14% from the same period last year, landing at 5.54 million registered cars across 27 countries. SUVs and EVs were a main factor preventing a further decrease. SUVs had 4% less registration compared to the last period, taking up nearly 50% of the total registration. EV registration increased from 485 thousand



vehicles to 633 thousand vehicles, up 31%, taking up 11.4% of the whole BEV market share, and up nearly 4 percentage points from a year ago.

The uptrend of BEV demand doesn't equally benefit all carmakers. Although Tesla still holds a large chunk of EV sales, its growth rate is lower than the market's average. With issues in new car supply due to the production halt in China as well as the increased number of market competitors, Tesla's market share dropped from 13.75% in the first half of 2021 to 13.33% in the first half of 2022.

Musk Hints Tesla Annual Production to Reach 2 Million Vehicles

馬斯克預告Tesla全年汽車產量達200萬輛

CEO Musk said Tesla's production will reach 2 million vehicles this year. He also said he "might be able to announce a new factory construction". He said that at the end of the day, Tesla will have 10 to 12 megafactories. "Tesla is interested in purchasing companies in the field of technology and AI, and could repurchase stocks in the future depending on cash flow status.



Guatemala Approves Law on Incentives for Electric Mobility

瓜地馬拉通過電動車獎勵法

On August 9, 2022, Guatemalan Congress approved Decree 40-2022, which contains the Law on Incentives for Electric Mobility offering tax inducements on the importation, sale, and use of electric vehicles or those that run on hydrogen as well as hybrid cars. Tax benefits include exemption from the Value Added Tax on the purchase and sale of such vehicles, their parts and

chargers, and the Value Added Tax on their importation.

According to AMEGUA, in Guatemala there are 2,500 hybrid cars, 145 BEVs, 770 electric scooters and 15 charging stations. The country sold 510 hybrid cars in Q1 2022, up from 92 hybrid cars in 2021.



Companies Development

Taiwanese Hand Tool Maker Proxene on Emerging Stock Market from August 8

手工工具廠伯鑫上半年賺回半個股本 8/8登興櫃

In Taiwan, a company has to trade its shares on the emerging market for at least six months before it can be listed on the main stock exchange or over-the-counter market. Manufacturing industrial adjustable wrenches, pliers, screwdrivers, hexagon socket wrenches, sockets and tool boxes, Proxene began listing its stocks on the emerging market from August 8 at a reference price of NTD 63.5. Its consolidated net profit after tax in the first-half 2022 was NTD 83.08 million with an EPS of NTD 5.03, consolidated revenue at NTD 451 million and gross profit margin at 31.17%. In 2021 the company grossed NTD 810 million.

Exporting 80% of its products mostly to the U.S. and Europe, Proxene supplies to global adjustable wrench brands. The company started in 1984 and set up a branch in 2017. It invested NTD 700-800 million in a new plant which integrates smart manufacturing.

Japanese Nitto Seiko Rolls out Uni-axis Auto Screw Fastening Device

日東精工推出輕量化單軸自動鎖螺絲裝置

"FM514VZ" and "FM514CZ" Uni-axis Auto Screw Fastening Device can be mounted on small vertical multi-joint robots. It weighs lighter and reduces 23% carbon emission. The user can change fastening thrust and set fastening torque and speed. The vacuum suction type FM514VZ model is suited for tight and deep places; the chuck-claw type FM514CZ model is suited for fastening flat surfaces. Screws are fed one by one from the feeder to the fastening unit through air pressure for automatic screw fastening tailored to each product.



Japanese KTC Develops Threaded Pipe Torque Wrench

日本京都機械工具開發螺紋管線專用扭力扳手



General pipe wrenches rely on operators to get a feel for them. The aging of operators could lead to inconsistent quality or insufficient fastening. KTC (Kyoto Tool Co.) worked with Osaka Gas Network and successfully developed a torque wrench for threaded pipes which “clicks” on completion of fastening to ensure consistent operation. Furthermore, the product is strong by design to hold through heavy rain and other severe weather.

Japanese Vessel Rolls out 25.4mm Impact Wrench

日本Vessel推出25.4mm衝擊扳手



The Japanese have to replace large vehicle wheels with the ones for winter before the cold season arrives. The wheel nuts in use for a long time would be rusty from snow melting agent and hard to loosen up. The huge demand for tire replacement in this period would put a lot of loads on impact wrenches. Plus, there are users that claimed impact wrenches are “too heavy, time-consuming due to low torque, easy to act up and costs much for repair.” To that, Vessel has rolled out “SP-390DX” 25.4mm Impact Wrench.

The product’s anvil length shrinks from 8 to 6 inches to reduce torque loss during fastening. The anvil is hollow by design to reduce weight. The diameter of the air duct is increased, and the heat treatment to the air motor and rotor blade is optimized to improve torque via smooth rotation.

Hilti North America Names Mike McGowan as New Region Head and CEO

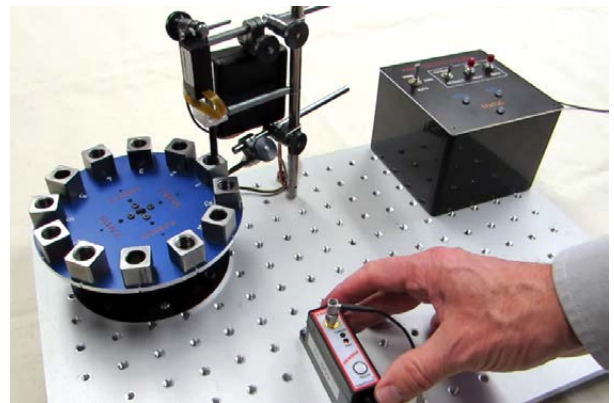
Hilti North America任命Mike McGowan為新區域總經理及執行長

Martina McIsaac, Region Head and Chief Executive Officer of Hilti North America, has resigned her position effective October 1, 2022. Mike McGowan, currently Senior Vice President and General Manager of the Hilti North America East Market Organization, has been promoted to Region Head and Chief Executive Officer of Hilti North America effective October 1, 2022. In this role he will additionally serve on the Hilti Group Executive Management Team. Mike was chosen after a comprehensive internal search for a candidate with a proven track record of success, deep understanding of the construction business and commitment to company culture.

Mike joined Hilti in 1988 as a Hilti Store Sales Associate and was regularly promoted to positions of increasing responsibility in sales and marketing before taking the top spot for Hilti’s eastern United States business in 2002. Mike’s experience in consistently developing and leading a diverse and inclusive team capable of sustained performance is unmatched.

Kaman Precision Products Provides Non-Contact ThreadChecker

美國Kaman Precision Products提供非接觸式螺紋檢測工具



The ThreadChecker by Kaman Precision Products is a teachable eddy current inspection tool, widely used for thread detection, plating presence, and absence of heat treatment, as examples. Any physical property difference that relates to material conductivity is readily detected. The ThreadChecker is ideal for use in any automated inspection process in manufacturing.

Consisting of a single electronics module compatible with any probe/material combination, the ThreadChecker can check threads regardless of part cleanliness, reducing the cost of implementation. It features five internal probes, ranging from 2 to 10 millimeters (mm) and two external probes, 6mm and 8mm. Available with a rail mounting option, ThreadChecker is CE-compliant and features IP-67 rated probes and electronics.



His market organization consistently ranks in the top five most successful geographies in the Hilti Group.

“For more than 35 years, I have been committed to Hilti, its team members, and its customers. Since the early days of my career, the construction industry has been my passion. I look forward to continuing to build on an already strong foundation of success by working alongside the more than 4,000 team members who have chosen to make Hilti North America their professional home,” said McGowan.

TriMas Aerospace Receives Supplier Performance Recognition from Boeing



TriMas announced that TriMas Aerospace's Allfast Fastening Systems business has received a 2021 Supply Chain Performance Achievement Certificate from The Boeing Company for the tenth consecutive year. Boeing issues the award annually to recognize suppliers who have achieved superior performance each year. Allfast Fastening Systems maintained a Silver composite performance rating for each month of the 12-month performance period from January to December 2021.

“This recognition acknowledges our commitment to our customers to consistently provide superior quality, on-time delivery, flexibility and outstanding service,” said John Schaefer, President of TriMas Aerospace. “Our Allfast team tirelessly focuses on operational excellence and customer satisfaction, and we're grateful for their hard work and dedication. We thank Boeing for this recognition and look forward to continuing to partner on innovative fastener solutions.”

TriMas Aerospace designs, engineers and manufactures engineered ducts and fasteners for the global commercial and military aerospace industry under the following leading brands: RSA Engineered Products, Monogram Aerospace Fasteners™, Allfast Fastening Systems®, Mac Fasteners™, TFI Aerospace and Martinic Engineering™.

German Henkel Launches Loctite DRI 2250-W

德國五金大廠Henkel發表Loctite DRI 2250-W

Henkel has introduced a breakthrough product to its comprehensive range of automotive pre-applied threadlocker coatings that brings the high-speed throughput of a flowable product with the sustainability advantages of a water-based material. The first ever water-based



flowable pre-applied threadlocker, Loctite DRI 2250-W, is a medium to high strength pre-applied threadlocker that has been created to meet automotive specification requirements.

Loctite DRI 2250-W offers high temperature resistance of over 200°C and has excellent chemical resistance. Scott Simmons, Business Development Manager, North America, describes how its superior High Temperature Resistance addresses customers' frustrations with competing products: “Traditional products fail to maintain room temperature (RT) breakloose strength and can typically lose around 50 percent – and in some cases even more – of their strength at 150°C. By contrast, DRI 2250-W maintains RT strength beyond 150°C and in most cases can achieve this up to 200°C.”

Further advantages of Loctite DRI 2250-W include its low coefficient of friction. Tested on multiple plating surfaces, the material maintains a coefficient of friction between 0.10 – 0.16. It also shows superior performance on all plating types, including the newer zinc-flake coating, with added lubricity.

As a pre-applied film, the threadlocker is dry-to-the-touch and remains an inert coating until assembly. During assembly, microcapsules contained within the coating are crushed and release an active ingredient that initiates the anaerobic curing process. When cured, Loctite DRI 2250-W also acts as a thread sealant as well as a threadlocker. It eliminates the need to apply liquid sealants, adhesives, or any other mechanical locking or sealing device to threaded parts during manual or automatic assembly and is flow coatable for higher output speeds.

Stanley Black & Decker Announces Leadership Transition in Tools Business

Stanley Black & Decker 工具部門主管異動



Jaime Ramirez, Executive Vice President and President, Tools & Storage, stepped down from his role to pursue opportunities outside of the Company, effective July 22, 2022. Robert Raff, a 20-year Stanley Black & Decker veteran and currently Head of Stanley Outdoor Integration, will be appointed Acting Executive Vice President and President, Tools. Mr. Raff will work closely with Donald Allan, President and CEO of Stanley Black & Decker, to help drive execution of the Company's strategy focused on the growth of its core businesses.

Robert Raff currently serves as Head of Stanley Outdoor Integration, a role he has held since August 2021. Over the past 20 years, Mr. Raff has served in various leadership roles across Stanley Black & Decker including President, Stanley Security; President, Convergent Security Solutions; President, North America

Commercial Global Tools & Storage; President, Hardware and other roles.

The Company has retained Heidrick & Struggles to conduct an internal and external search for a permanent successor to Mr. Ramirez.

Wiha is Winner of the iF DESIGN AWARD 2022

Wiha手工工具獲2022 iF設計獎



Wiha is a winner of this year's iF DESIGN AWARD, the world-renowned design prize. The winning product, the Wiha Pliers Wrench Family, won in the discipline "Product", in the "Industry/Tools". Each year, the world's oldest independent design organization, Hannover-based iF International Forum Design GmbH, organizes the iF DESIGN AWARD. The Wiha Pliers Wrench Family won

over the 132-member jury, made up of independent experts from all over the world, with its innovative and appealing product design of the buttonless, narrow shape concept.

This makes it much easier for professional users from industry and trade to access narrow and confined spaces during installations. Particularly smooth and parallel jaws also avoid damage to sensitive surfaces. Width adjustment directly on the workpiece makes work more efficient. A ratchet function enables fast screwing without regripping. Pressing & bending tasks take minimum effort thanks to the tenfold increase in manual force. After the German Design Award 2022, this is now the second international award for Wiha product development.



Klein Tools® Launches Multi-Bit Drivers with 26 Precision Tips Stored in Handle

Klein Tools®發表單支多起子頭螺絲起子

Klein Tools, for professionals since 1857, introduces the 27-in-1 Precision Multi-Bit Screwdriver, which houses all the bits you need for everyday precision driving, plus an integrated 3.5 mm nut driver.

Features:

1. On-board storage of 26 different precision tips and a 3.5 mm nut driver
2. Barrel contains powerful Rare-Earth magnets for securing



www.biaoer.com

YUYAO BIAOER TRADING CO., LTD. YUYAO NO.2 STANDARD FASTENER FACTORY

Tel: 86-574-62003777, 62003860 Fax: 86-574-62003980

Email: ruanlifei@biaoer.com MT: 86-15306621777

www.fastener-world.com/en/supplier/biaoer

Wucheyan Yuyao Ningbo Zhejiang China

Established in 1993, YUYAO BIAOER is a manufacturing and trading company specializing in EYEBOLT (GB789, DIN444) and HINGE.

Material: 4.6/ 8.8/ 10.9/ 12.9/ A2-70/ A4-70)

Standards: M6 - M100 (1/4" ~ 2")

The machined spherical part will remain cleaned and bright after a hot/cold forging and a complete cut process.

We've cooperated with big customers such as ... SIEMENS, ABB, GE..., etc.

We would like to take this opportunity to welcome you as our new customers. If you are interested, please contact us.



Attn: Mrs. Lao / Mr. Ruan

- bits and fasteners
- 3. Pin cap for optimum and precise control
- 4. Industrial-strength, double-sided bits are conveniently housed in the handle, eliminating the need for a bulky bit block or case
- 5. Cat. No. 32328 includes bits to repair most Apple® products
- 6. Stainless steel barrel provides great impact and wear resistance
- 7. Cushion-Grip handle for maximum comfort

Mergers & Acquisitions

Koki Holdings America Announces a Merger of Metabo HPT & Metabo in North America to Further Expand Both Brands



Koki Holdings America宣布合併Metabo HPT和北美的Metabo以拓展兩個品牌

Koki Holdings America Ltd., announced a merger of two organizations, Metabo HPT and Metabo Power Tools in North America. Effective December 2022, both brands will operate their headquarters, factory service center and distribution functions from state-of-the-art facility in Braselton, GA, located north of Atlanta. This will support the expansion and continuity of both brands and increase value to our partners.

By integrating operations, both brands will continue to support retailers and end users with world-class power tools for the residential/multifamily construction market and the metal working/industrial markets. This unification will enhance value across the organization, driving new business opportunities for existing Metabo HPT and Metabo customers.

MKS Instruments Announces Closing of Atotech Acquisition



MKS Instruments 宣布完成併購 Atotech程序

MKS Instruments, Inc., a global provider of technologies that enable

advanced processes and improve productivity, announced the completion of the previously announced acquisition of Atotech Limited for approximately US\$4.4 billion in cash and MKS common stock. Atotech is a global leader in process chemicals, equipment, software and services for printed circuit boards, semiconductor IC packaging, and surface finishing.

MANUFACTURER OF HOME AND BUILDERS' HARDWARE

- Miscellaneous Hardware
- Picture Hangers
- Pegboard Hooks
- Bolts
- Hooks



歡迎貿易商合作內外銷



CHANG BING ENTERPRISE CO., LTD. 彰濱企業有限公司

🏠 No.49, Xinggong Rd., Shengang Township, Changhua County 50971, Taiwan

☎ 886-4-798-0619 📠 886-4-798-0622

✉ changbing@hangers.com.tw

changbing@cbtw.com.tw

www.cbtw.com.tw

www.hangers.com.tw



“The acquisition of Atotech positions MKS to accelerate roadmaps for future generations of advanced electronics devices,” said John T.C. Lee, President and CEO of MKS. “By combining leading capabilities in lasers, optics, motion and now process chemistry, MKS is set to be a leader in the next frontier for miniaturization and complexity: Optimizing the InterconnectSM, a significant enabling point of next-generation advanced electronics. Atotech’s leadership in functional and decorative surface finishing will also extend MKS’ product offering for industrial applications and grow our market reach. I could not be more excited to welcome the Atotech team to the MKS family.”



MSC Industrial Supply Co. Acquires Tower Fasteners

MSC Industrial Supply Co. 併購Tower Fasteners

MSC Industrial Supply Co., a premier distributor of Metalworking and Maintenance, Repair and Operations supplies to industrial customers throughout North America, announced that it has acquired Tower Fasteners, a Holtsville, New York-based valued-added distributor of Original Equipment Manufacturer (OEM) fasteners and components.

Under the equity purchase agreement, Tower will continue to operate under its current name after becoming an MSC company. Mark Shannon, President of Tower, will continue to lead the business, which has approximately 100 associates. Tower’s revenue in calendar 2021 was approximately US\$35 million. MSC’s acquisition of Tower, made through its All Integrated Solutions (AIS) subsidiary, expands the company’s presence in the OEM fastener market, which it entered in 2018 with the acquisition of AIS, a leading value-added distributor of industrial fasteners and components, MRO supplies and assembly tools based in Wisconsin.

Tower’s growing footprint complements AIS’s existing locations concentrated in the Midwest. The company operates eight distribution centers along the East Coast and in the Southwestern regions of the United States, Mexico and Europe. Tower serves manufacturers in the industrial, electronics, medical equipment, aerospace, military, and security, fire and safety sectors. MSC plans to maintain Tower’s operations, providing the company’s customer base access to MSC’s 2 million-plus product portfolio to support their full metalworking and MRO needs. Similarly, MSC will extend Tower’s production fastener solutions to its manufacturing customers. The acquisition is expected to be roughly neutral to MSC’s fiscal 2022 earnings and slightly accretive to fiscal 2023 earnings. □

SHANGHAI SCREWTOOL INDUSTRIAL CO., LTD

www.shscrewtool.com

TRILOBE SCREW



- DIN7500
- Taptite Alternative
- Plastite Alternative
- Trilobe sems screw

STAINLESS STEEL FASTENER



- set screw
- 304/410/316/-bi-metal self-drilling screw
- deck screw
- DIN series (DIN 7981 /7982/933/934 /912 etc,no MOQ)

MICRO SCREW



KITTING



CUSTOM SCREW



- PT screw
- nylok screw
- sems screw
- grinding screw
- floorboard screw

Your Reliable Fastener Sourcing Partner In China






*PPAP AVAILABLE.

Office: No. 255, Lane 658 Guang-Fu Lin Road, Song Jiang, Shanghai, China
 Factory: No.1, Guan-He Road, Haitou Town, Lianyungang, China
 email: info@shscrewtool.com